



## Control Series

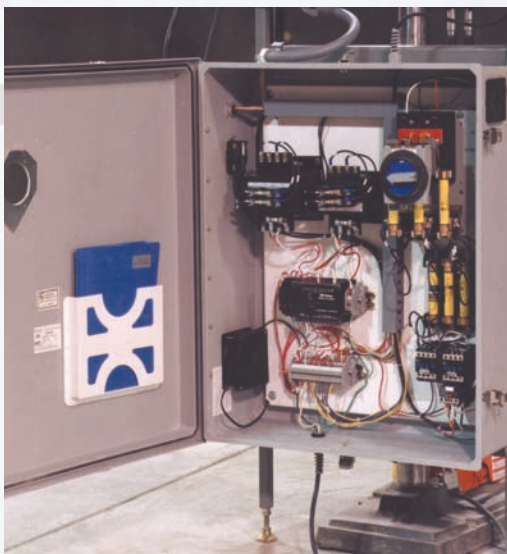
*The larger Control Series offers standard features as well as full-panel access and all usable panel space. In addition, the standard grey cover is available with or without a full-length polycarbonate viewing window. Other options include removable aluminum deadfront panel and painted carbon steel and aluminum back panels.*

*Control Series enclosures insulate and protect controls and components against the toughest elements in the harshest environments. Available in popular larger sizes and depths and with standard stainless steel hinges and latches.*

### Control Series Features & Benefits

- Molded fiberglass reinforced polyester construction for durability
- One-piece body construction provides added dimensional stability
- Standards sizes from 24" x 20" x 9-3/4" to 30" x 24" x 11-3/4"
- Closed-cell neoprene gasket encased in a continuous channel
- Raised cover for additional depth
- 304 stainless steel hardware and mounting feet
- Mounting panel inserts for optional back panel
- Optional hinged deadfront panel
- UV stabilized for outdoor use





### Suitable Applications

- Electrical junctions
- Terminal wiring
- Electrical and electronic controls, instruments, components
- Housing pushbuttons, switches or other devices
- Other industrial control equipment



### Control Series Specifications

- Non-corrosive
- Non-conductive
- Temperature-resistant
- Fire-resistant
- Rated NEMA 1, 2, 3, 3R 4, 4X, 12, 13
- UL listed
- CSA certified



### Accessories

- Back panels available in painted carbon steel or aluminum
- Aluminum hinged dead front panel for configuration flexibility
- UV resistant polycarbonate viewing windows

### Modifications

We are pleased to modify any of our standard products to fit your needs. We have the lowest volume requirements on custom work in the industry, and quick turnaround time.

We can modify any of our Control Series enclosures with:

- Custom size holes and cutouts
- Custom size polycarbonate viewing windows
- Molded-in color matches
- EMI/RFI shielding
- Factory-supplied silk screening

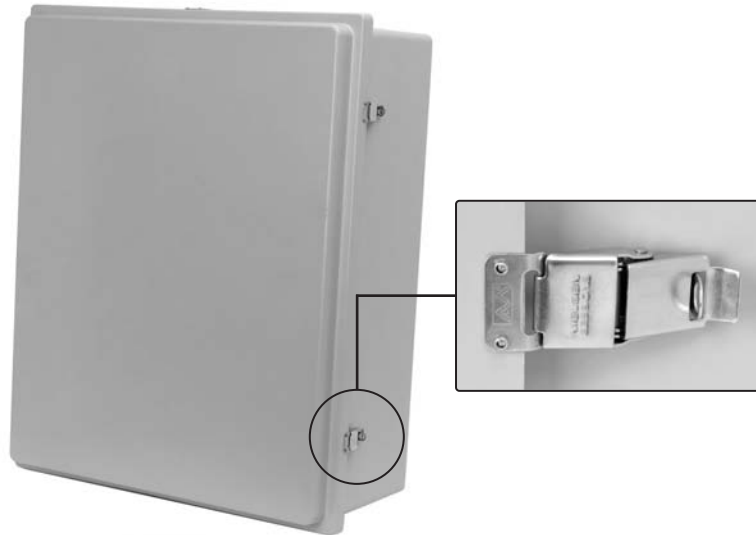
*For complete details on factory modifications including a modification request form, see pages 76-78.*

Secure online  
ordering  
24/7/365 from

**B & B electronics**  
MANUFACTURING COMPANY

International Headquarters: 707 Dayton Road - PO Box 1040 - Ottawa, IL 61350 USA  
815-433-5100 Fax 815-433-5104 www.bb-elec.com orders@bb-elec.com support@bb-elec.com

European Headquarters: Westlink Commercial Park - Oranmore Co. Galway - Ireland  
+353 91 792444 Fax +353 91 792445 www.bb-europe.com orders@bb-europe.com support@bb-europe.com



## Control Series: Snap Latch Hinged Cover

### APPLICATION

- Designed to insulate and house electrical and electronic controls, instruments or components for indoor and outdoor applications
- Especially well suited for high temperature or corrosive environments
- Protects from dirt, dust, oil and water

### STANDARDS

- Construction meets NEMA/EEMAC Type 4, 4X, 12 specifications
- UL 508 listed, Type 1, 2, 3, 3R, 4, 4X, 12, 13
- CSA certified LR 89590 for use with industrial control equipment CSA Enc. 1, 2, 3, 4, 4X, 12, 13

### CONSTRUCTION

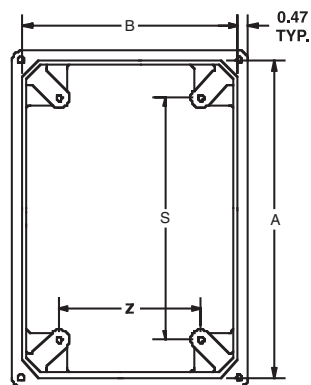
- Strong, molded fiberglass reinforced polyester construction with matching raised cover
- Full panel access
- All usable panel space
- 304 stainless steel snap latches feature padlock hasp
- Continuous stainless steel hinge
- Closed-cell neoprene gasket encased in a continuous channel
- 304 stainless steel wall mounting feet with 3/8-16 stainless steel screws included
- 3/8-16 threaded inserts are installed for optional back panel
- Fiberglass material is easily punched, drilled or sawed
- UV stabilized for outdoor use

### ACCESSORIES

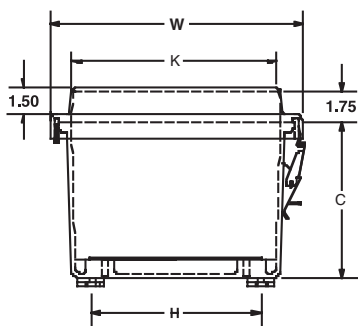
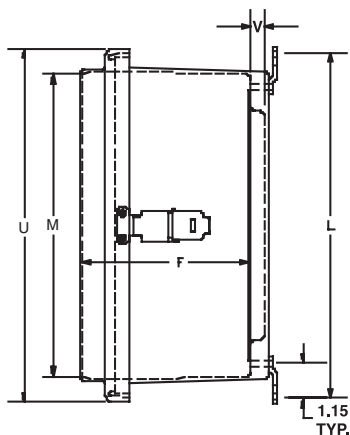
- Optional painted carbon steel back panels (See table on pages 64-65.)
- Optional aluminum back panels (See table on pages 64-65.)
- Optional aluminum hinged deadfront panel (See table on pages 64-65.)

### MODIFICATIONS

- Custom size holes and cutouts
- Custom size polycarbonate viewing windows
- Molded-in color matches
- EMI/RFI shielding
- Factory-supplied silk screening



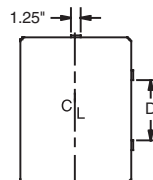
Note: Cover removed for clarity



Nom. 1/8" wall thickness

### Latch Locations

For use on:  
 24x20x8 D=14.50, 24x20x10 D=13.75  
 24x24x8 D=14.50, 24x24x10 D=13.75  
 30x24x8 D=18.50, 30x24x10 D=18.75



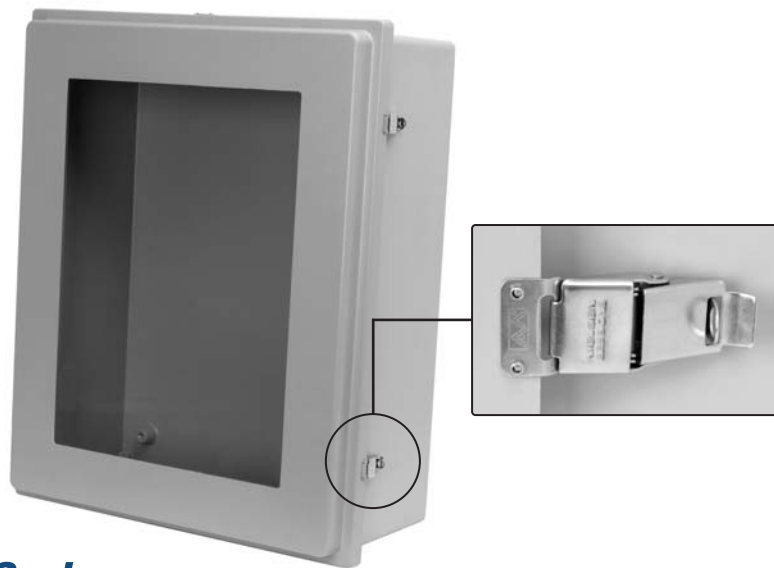
Part No.	Box Size			Centers						Cover Dim.			
	A	B	C	V	F	H	S	Z	L	K	M	U	W
AM24208RL	24.00	20.00	8.13	1.00	8.65	18.75	19.25	15.25	25.06	20.16	24.16	25.59	21.59
AM24248RL	24.00	24.00	8.13	1.00	8.65	22.75	19.25	19.25	25.06	24.16	24.16	25.59	25.59
AM30248RL	30.00	24.00	8.13	1.00	8.65	22.75	25.25	19.25	31.06	24.16	30.16	31.59	25.59
AM24200RL	24.00	20.00	10.13	1.00	10.65	18.75	19.25	15.25	25.06	20.16	24.16	25.59	21.59
AM24240RL	24.00	24.00	10.13	1.00	10.65	22.75	19.25	19.25	25.06	24.16	24.16	25.59	25.59
AM30240RL	30.00	24.00	10.13	1.00	10.65	22.75	25.25	19.25	31.06	24.16	30.16	31.59	25.59

All dimensions in inches.

Secure online ordering 24/7/365 from **B&B electronics**  
 MANUFACTURING COMPANY

International Headquarters: 707 Dayton Road PO Box 1040 Ottawa, IL 61350 USA  
 815-433-5100 Fax 433-5104 www.bb-elec.com orders@bb-elec.com support@bb-elec.com

European Headquarters: Westlink Commercial Park Oranmore Co. Galway Ireland  
 +353 91 792444 Fax +353 91 792445 www.bb-europe.com orders@bb-elec.com support@bb-europe.com



## **Control Series: Snap Latch Hinged Cover With Window**

### **A P P L I C A T I O N**

- Designed to insulate and house electrical and electronic controls, instruments or components for indoor and outdoor applications
- Especially well suited for high temperature or corrosive environments
- Protects from dirt, dust, oil and water
- Window unit provides viewing area for instrumentation or equipment

### **S T A N D A R D S**

- Construction meets NEMA/EEMAC Type 4, 4X, 12 specifications
- UL 508 listed, Type 1, 2, 3, 3R, 4, 4X, 12, 13
- CSA certified LR 89590 for use with industrial control equipment CSA Enc. 1, 2, 3, 4, 4X, 12, 13

### **C O N S T R U C T I O N**

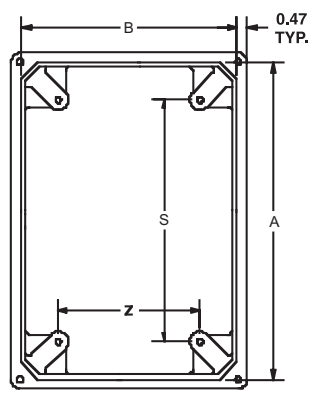
- Strong, molded fiberglass reinforced polyester construction with matching raised cover
- Full panel access
- All usable panel space
- UV resistant polycarbonate viewing window
- 304 stainless steel snap latches feature padlock hasp
- Continuous stainless steel hinge
- Closed-cell neoprene gasket encased in a continuous channel
- 304 stainless steel wall mounting feet with 3/8-16 stainless steel screws included
- 3/8-16 threaded inserts are installed for optional back panel
- Fiberglass material is easily punched, drilled or sawed
- UV stabilized for outdoor use

### **A C C E S S O R I E S**

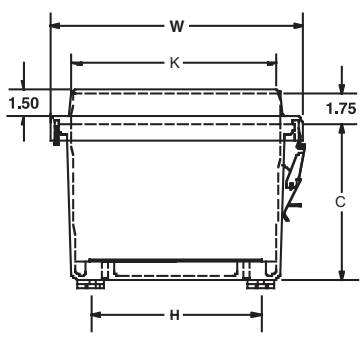
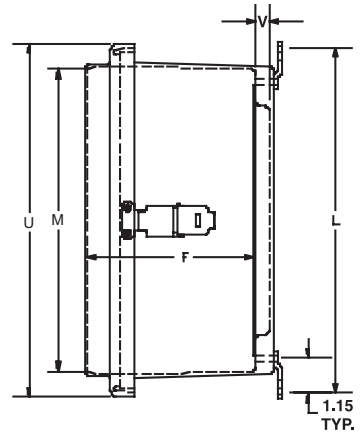
- Optional painted carbon steel back panels (See table on pages 64-65.)
- Optional aluminum back panels (See table on pages 64-65.)
- Optional aluminum hinged deadfront panel (See table on pages 64-65.)

### **M O D I F I C A T I O N S**

- Custom size holes and cutouts
- Custom size polycarbonate viewing windows
- Molded-in color matches
- EMI/RFI shielding
- Factory-supplied silk screening



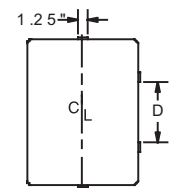
Note: Cover removed for clarity



Nom. 1/8" wall thickness

**Latch Locations**

For use on:  
 24x20x8 D=14.50, 24x20x10 D=13.75  
 24x24x8 D=14.50, 24x24x10 D=13.75  
 30x24x8 D=18.50, 30x24x10 D=18.75



Part No.	Box Size			Centers						Cover Dim.				Win. Dim.
	A	B	C	V	F	H	S	Z	L	K	M	U	W	
AM24208RLW	24.00	20.00	8.13	1.00	8.56	18.75	19.25	15.25	25.06	20.16	24.16	25.59	21.59	12.00 x 16.00
AM24248RLW	24.00	24.00	8.13	1.00	8.56	22.75	19.25	19.25	25.06	24.16	24.16	25.59	25.59	16.00 x 16.00
AM30248RLW	30.00	24.00	8.13	1.00	8.56	22.75	25.25	19.25	31.06	24.16	30.16	31.59	25.59	17.00 x 23.00
AM24200RLW	24.00	20.00	10.13	1.00	10.56	18.75	19.25	15.25	25.06	20.16	24.16	25.59	21.59	12.00 x 16.00
AM24240RLW	24.00	24.00	10.13	1.00	10.56	22.75	19.25	19.25	25.06	24.16	24.16	25.59	25.59	16.00 x 16.00
AM30240RLW	30.00	24.00	10.13	1.00	10.56	22.75	25.25	19.25	31.06	24.16	30.16	31.59	25.59	17.00 x 23.00

Secure online ordering 24/7/365 from **B&B electronics** MANUFACTURING COMPANY

International Headquarters: 707 Dayton Road PO Box 1040 Ottawa, IL 61350 USA  
 815-433-5100 Fax 433-5104 www.bb-elec.com orders@bb-elec.com support@bb-elec.com

European Headquarters: Westlink Commercial Park Oranmore Co. Galway Ireland  
 +353 91 792444 Fax +353 91 792445 www.bb-europe.com orders@bb-elec.com support@bb-europe.com



## Control Series: Twist Latch Hinged Cover

### APPLICATION

- Designed to insulate and house electrical and electronic controls, instruments or components for indoor and outdoor applications
- Especially well suited for high temperature or corrosive environments
- Protects from dirt, dust, oil and water

### STANDARDS

- Construction meets NEMA/EEMAC Type 4, 4X, 12 specifications
- UL 508 listed, Type 1, 2, 3, 3R, 4, 4X, 12, 13
- CSA certified LR 89590 for use with industrial control equipment CSA Enc. 1, 2, 3, 4, 4X, 12, 13

### CONSTRUCTION

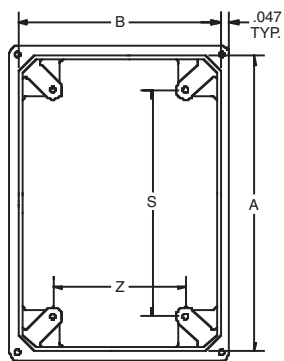
- Strong, molded fiberglass reinforced polyester construction with matching raised cover
- Full panel access
- All usable panel space
- 304 stainless steel twist latches feature padlock hasp
- Continuous stainless steel hinge
- Closed-cell neoprene gasket encased in a continuous channel
- 304 stainless steel wall mounting feet with 3/8-16 stainless steel screws included
- 3/8-16 threaded inserts are installed for optional back panel
- Fiberglass material is easily punched, drilled or sawed
- UV stabilized for outdoor use

### ACCESSORIES

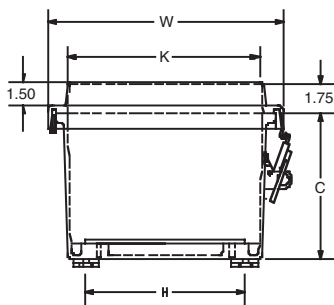
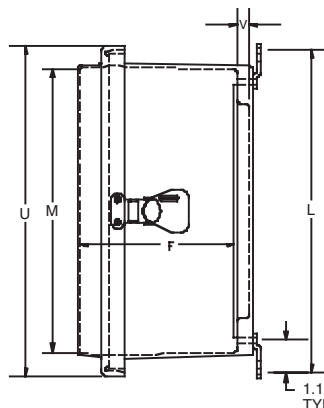
- Optional painted carbon steel back panels (See table on pages 64-65.)
- Optional aluminum back panels (See table on pages 64-65.)
- Optional aluminum hinged deadfront panel (See table on pages 64-65.)

### MODIFICATIONS

- Custom size holes and cutouts
- Custom size polycarbonate viewing windows
- Molded-in color matches
- EMI/RFI shielding
- Factory-supplied silk screening



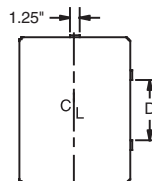
Note: Cover removed for clarity



Nom. 1/8" wall thickness

### Latch Locations

For use on:  
 24x20x8 D=14.50, 24x20x10 D=13.75  
 24x24x8 D=14.50, 24x24x10 D=13.75  
 30x24x8 D=18.50, 30x24x10 D=18.75



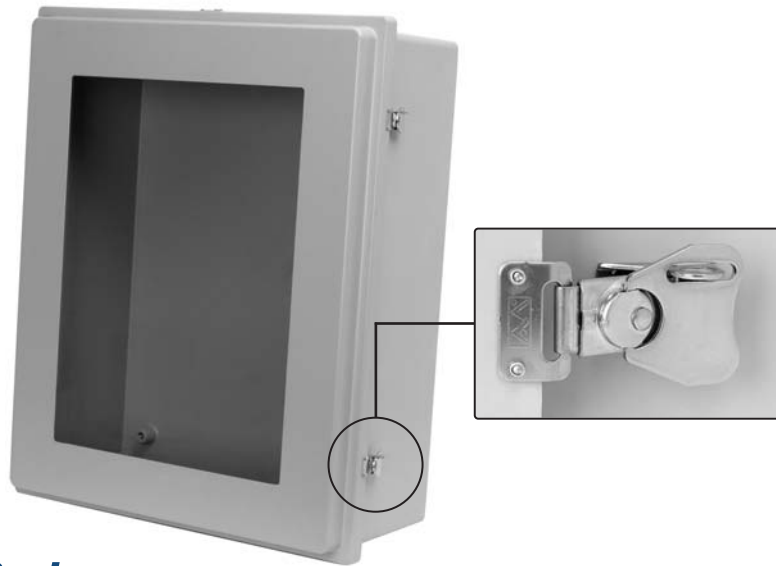
Part No.	Box Size			Centers						Cover Dim.			
	A	B	C	V	F	H	S	Z	L	K	M	U	W
AM24208RT	24.00	20.00	8.13	1.00	8.65	18.75	19.25	15.25	25.06	20.16	24.16	25.59	21.59
AM24248RT	24.00	24.00	8.13	1.00	8.65	22.75	19.25	19.25	25.06	24.16	24.16	25.59	25.59
AM30248RT	30.00	24.00	8.13	1.00	8.65	22.75	25.25	19.25	31.06	24.16	30.16	31.59	25.59
AM24200RT	24.00	20.00	10.13	1.00	10.65	18.75	19.25	15.25	25.06	20.16	24.16	25.59	21.59
AM24240RT	24.00	24.00	10.13	1.00	10.65	22.75	19.25	19.25	25.06	24.16	24.16	25.59	25.59
AM30240RT	30.00	24.00	10.13	1.00	10.65	22.75	25.25	19.25	31.06	24.16	30.16	31.59	25.59

All dimensions in inches.

Secure online ordering 24/7/365 from **B&B electronics**  
 MANUFACTURING COMPANY

International Headquarters: 707 Dayton Road PO Box 1040 Ottawa, IL 61350 USA  
 815-433-5100 Fax 433-5104 [www.bb-elec.com](http://www.bb-elec.com) [orders@bb-elec.com](mailto:orders@bb-elec.com) [support@bb-elec.com](mailto:support@bb-elec.com)

European Headquarters: Westlink Commercial Park Oranmore Co. Galway Ireland  
 +353 91 792444 Fax +353 91 792445 [www.bb-europe.com](http://www.bb-europe.com) [orders@bb-elec.com](mailto:orders@bb-elec.com) [support@bb-europe.com](mailto:support@bb-europe.com)



## **Control Series: Twist Latch Hinged Cover With Window**

### **A P P L I C A T I O N**

- Designed to insulate and house electrical and electronic controls, instruments or components for indoor and outdoor applications
- Especially well suited for high temperature or corrosive environments
- Protects from dirt, dust, oil and water
- Window unit provides viewing area for instrumentation or equipment

### **S T A N D A R D S**

- Construction meets NEMA/EEMAC Type 4, 4X, 12 specifications
- UL 508 listed, Type 1, 2, 3, 3R, 4, 4X, 12, 13
- CSA certified LR 89590 for use with industrial control equipment CSA Enc. 1, 2, 3, 4, 4X, 12, 13

### **C O N S T R U C T I O N**

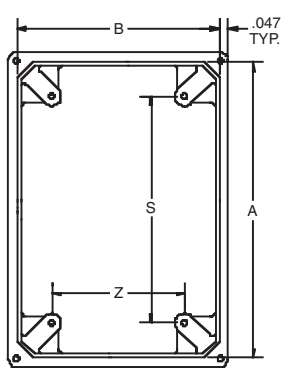
- Strong, molded fiberglass reinforced polyester construction with matching raised cover
- Full panel access
- All usable panel space
- UV resistant polycarbonate viewing window
- 304 stainless steel twist latches feature padlock hasp
- Continuous stainless steel hinge
- Closed-cell neoprene gasket encased in a continuous channel
- 304 stainless steel wall mounting feet with 3/8-16 stainless steel screws included
- 3/8-16 threaded inserts are installed for optional back panel
- Fiberglass material is easily punched, drilled or sawed
- UV stabilized for outdoor use

### **A C C E S S O R I E S**

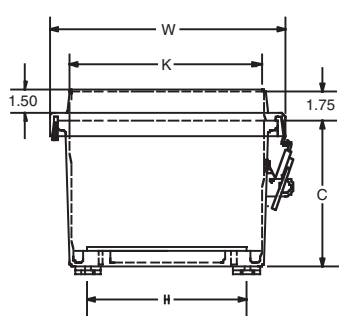
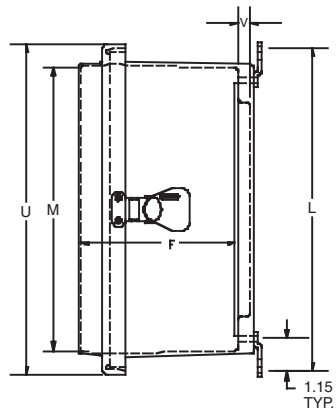
- Optional painted carbon steel back panels (See table on pages 64-65.)
- Optional aluminum back panels (See table on pages 64-65.)
- Optional aluminum hinged deadfront panel (See table on pages 64-65.)

### **M O D I F I C A T I O N S**

- Custom size holes and cutouts
- Custom size polycarbonate viewing windows
- Molded-in color matches
- EMI/RFI shielding
- Factory-supplied silk screening



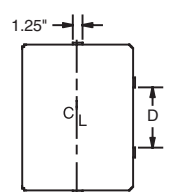
Note: Cover removed for clarity



Nom. 1/8" wall thickness

**Latch Locations**

For use on:  
 24x20x8 D=14.50, 24x20x10 D=13.75  
 24x24x8 D=14.50, 24x24x10 D=13.75  
 30x24x8 D=18.50, 30x24x10 D=18.75



Part No.	Box Size			Centers						Cover Dim.				Win. Dim.
	A	B	C	V	F	H	S	Z	L	K	M	U	W	
AM24208RTW	24.00	20.00	8.13	1.00	8.56	18.75	19.25	15.25	25.06	20.16	24.16	25.59	21.59	12.00 x 16.00
AM24248RTW	24.00	24.00	8.13	1.00	8.56	22.75	19.25	19.25	25.06	24.16	24.16	25.59	25.59	16.00 x 16.00
AM30248RTW	30.00	24.00	8.13	1.00	8.56	22.75	25.25	19.25	31.06	24.16	30.16	31.59	25.59	17.00 x 23.00
AM24200RTW	24.00	20.00	10.13	1.00	10.56	18.75	19.25	15.25	25.06	20.16	24.16	25.59	21.59	12.00 x 16.00
AM24240RTW	24.00	24.00	10.13	1.00	10.56	22.75	19.25	19.25	25.06	24.16	24.16	25.59	25.59	16.00 x 16.00
AM30240RTW	30.00	24.00	10.13	1.00	10.56	22.75	25.25	19.25	31.06	24.16	30.16	31.59	25.59	17.00 x 23.00

Secure online ordering 24/7/365 from **B&B electronics** MANUFACTURING COMPANY

International Headquarters: 707 Dayton Road PO Box 1040 Ottawa, IL 61350 USA  
 815-433-5100 Fax 433-5104 www.bb-elec.com orders@bb-elec.com support@bb-elec.com

European Headquarters: Westlink Commercial Park Oranmore Co. Galway Ireland  
 +353 91 792444 Fax +353 91 792445 www.bb-europe.com orders@bb-elec.com support@bb-europe.com