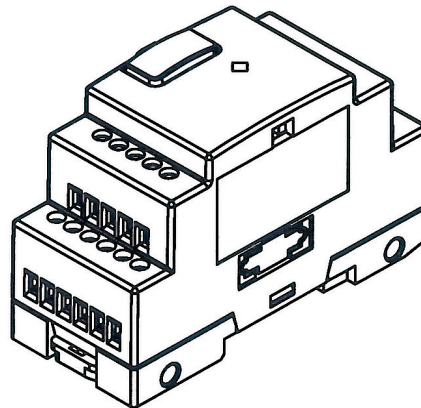
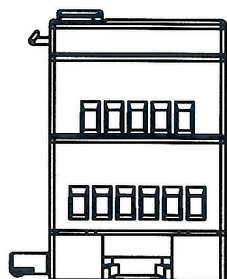
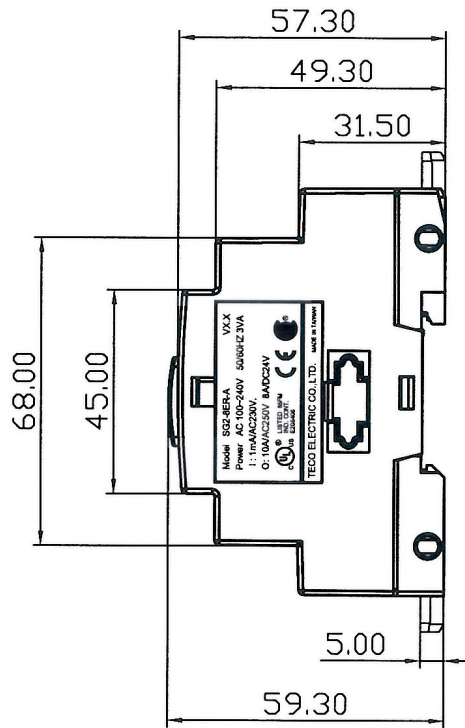
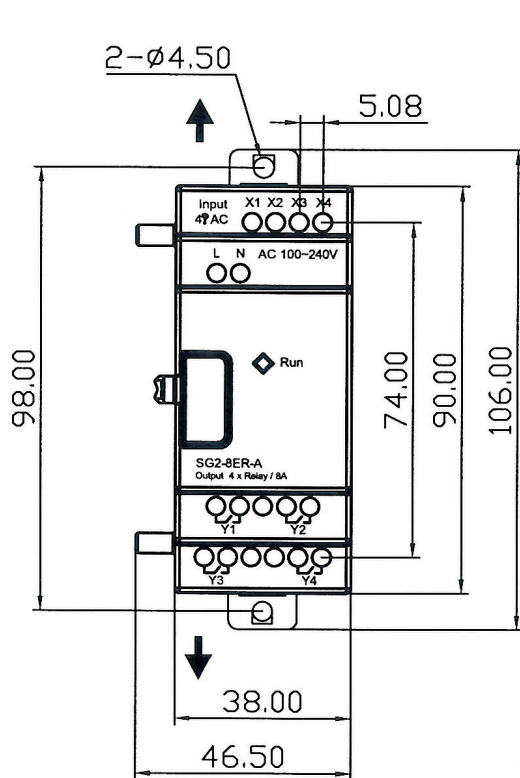


ON 9M

PART_NO	INDEX
VER: 01	PAGE_NO: 01



				TOLERANCE		0.6 ± 0.1	18.50 ± 0.2
						6~18 ± 0.15	50~X ± 0.3
REV.	PLCS	DESCRIPTION	DATE	SIGNATURE			
		APPR.	CHECK	DESIGN	DRAWN	SCALE 1:1.5	PRODUCT NAME SG2-8ER-A/D,SG2-8ET-D
TECO ? S?C				FILE NAME	EXTTYPE OUTLINE	DWG NO	M044024-A (M30-2481-X1)