



NPort 5610 Model Series
Serial Device Server
World's Leading LCM Display
Rackmount Serial Device Server

Overview

Make up to 16 RS-232 Serial Devices Internet Ready

NPort 5610 provides a convenient and transparent way for Ethernet connection that not only protects your current hardware investment, but also ensures future network expandability. Perform some simple configuration tasks, and you'll be ready to network your existing serial devices. Moreover, NPort 5610 can transparently transmit data bi-directionally between the serial and Ethernet interfaces. By using NPort 5610, you can centralize serial device management and distribute the management hosts at the same time.

19-in Rackmount Device Server

NPort 5610 has a professional cabinet design, with Tx/Rx LEDs for all ports on the front panel, and the 8/16 RS-232 RJ45 connectors on the rear panel. This makes NPort 5610 suitable for standard 19-inch rack mounting, simplifying operation, maintenance, and administration.

Real COM/TTY Port

After installing the real COM/tty driver, which comes with NPort 5610, the serial ports on NPort 5610 are recognized as Real COM ports by the Windows operating system, or real tty ports by Linux environments. NPort provides both the basic transmit/receive data functions, as well as RTS, CTS, DTR, DSR, and DCD control signals.

Useful LED Indicators

The System LED, Serial Tx/Rx LEDs, and Ethernet LED on the connector help field engineers analyze field problems, and provide a simple way to ease monitoring tasks. NPort 5610's LEDs not only indicate current system and network status, but also assist the field engineer in monitoring the status of attached serial devices.

Features

- Easy-to-use LCM (Liquid Crystal Module) interface for setting up IP address
- Standard 19-inch rack-mountable
- Auto-detecting 10/100 Mbps Ethernet
- 16/8 RS-232 ports
- Surge protection for all serial signals (15 KV ESD)
- Supports TCP Server, TCP Client, UDP, and Real COM Modes
- Supports web and telnet consoles
- Supports SNMP MIB-II for network management



International Headquarters: 707 Dayton Road PO Box 1040 Ottawa, IL 61350 USA
 815-433-5100 Fax 433-5104 www.bb-elec.com orders@bb-elec.com support@bb-elec.com

European Headquarters: Westlink Commercial Park Oranmore Co. Galway Ireland
 +353 91 792444 Fax +353 91 792445 www.bb-europe.com orders@bb-elec.com support@bb-europe.com

Typical Applications

NPort 5610 can be shared by several different host computers

Different Host computers can share the same NPort 5610 to control different devices. For example, ports 1, 2, and 3 can be configured to Host A's COM3, COM4, and COM5, and ports 14, 15, and 16 can be configured to Host B's COM3, COM4, and COM5. By using NPort 5610, you can simultaneously centralize serial device management and distribute the management hosts over the network.

Specifications

LAN

Ethernet 10/100 Mbps, RJ45 x 1
Protection Built-in 1.5 KV magnetic isolation

Serial

Interface RS-232, RJ45 8-pin
RS-232 TxD, RxD, RTS, CTS, DTR, DSR, GND
Serial Line Protection 15 KV ESD for all signals
Power Line Protection 4 KV Burst (EFT), EN61000-4-4
2 KV Surge, EN61000-4-5

Built-in Features

HMI LCM display with four push buttons
Buzzer
Real Time Clock
Watch Dog Timer

Serial Communication Parameters

Parity None, Even, Odd, Space, Mark
Data Bits 5, 6, 7, 8
Stop Bit 1, 1.5, 2
Flow Control RTS/CTS, XON/XOFF
Speed 50 bps to 230.4 Kbps

Software Features

Protocols ICMP, IP, TCP, UDP, DHCP, BOOTP, Telnet, DNS, SNMP, HTTP, SMTP, SNTP
Utilities NPort Administrator for Windows 95/98/ME/NT/2000/XP
Real COM/TTY Drivers Windows 95/98/ME/NT/2000/XP Real COM drivers
Configuration Web browser, telnet console, or Windows utility

Power Requirements

Power Input 100 to 240 VAC, 47 to 63 Hz, or 48 VDC
Power Consumption 5610-8: 8.2 W
5610-16: 9.6 W
5610-8-48V: 170 mA (at 48V max.)
5610-1648V: 200 mA (at 48V max.)

Mechanical Specifications

Material SECC sheet metal (1 mm)

Environmental

Operating Temperature 0 to 55°C (32 to 131°F), 5 to 95% RH
Storage Temperature -20 to 85°C (-4 to 185°F), 5 to 95% RH

Regulatory Approvals

EMC FCC Class A, CE Class A
Safety UL, CUL, TUV

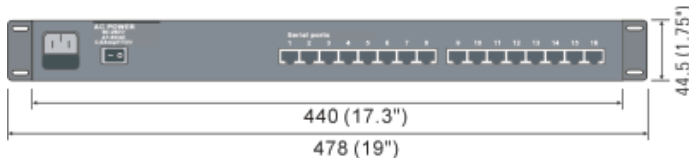


International Headquarters: 707 Dayton Road PO Box 1040 Ottawa, IL 61350 USA
815-433-5100 Fax 433-5104 www.bb-elec.com orders@bb-elec.com support@bb-elec.com

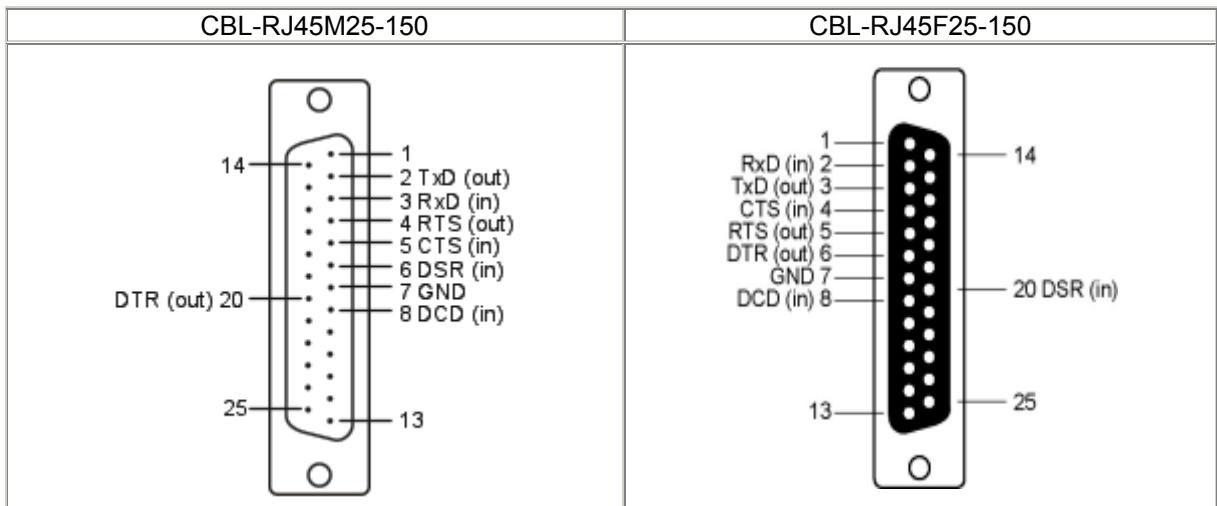
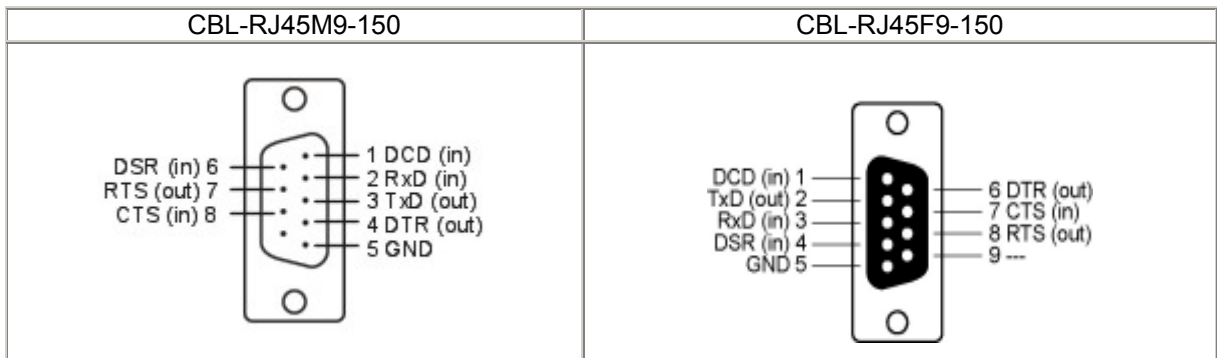
European Headquarters: Westlink Commercial Park Oranmore Co. Galway Ireland
+353 91 792444 Fax +353 91 792445 www.bb-europe.com orders@bb-elec.com support@bb-europe.com

Dimensions

Unit: mm (inch)



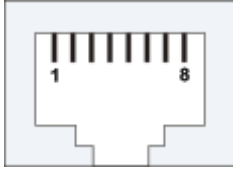
Optional Accessories



International Headquarters: 707 Dayton Road PO Box 1040 Ottawa, IL 61350 USA
 815-433-5100 Fax 433-5104 www.bb-elec.com orders@bb-elec.com support@bb-elec.com

European Headquarters: Westlink Commercial Park Oranmore Co. Galway Ireland
 +353 91 792444 Fax +353 91 792445 www.bb-europe.com orders@bb-elec.com support@bb-europe.com

RJ45 RS-232 Port-Pin Assignment



Pin	RS-232
1	DSR (in)
2	RTS (out)
3	GND
4	TxD (out)
5	RxD (in)
6	DCD (in)
7	CTS (in)
8	DTR (out)

Model:

Description:

NPORT 5610-16.....16-Port RS-232 Serial Device Server, 100-240 VAC power input

NPORT 5610-8.....8-Port RS-232 Serial Device Server, 100-240 VAC power input

*Above items include.....Serial Device Server
 Quick Installation Guide
 NPort Document and Software CD-ROM
 Power Cord

NPORT 5610-1648.....16-Port RS-232 Serial Device Server, 48 VDC power input

NPORT 5610-8-48.....8-Port RS-232 Serial Device Server, 48 VDC power input

*Above items include.....Serial Device Server
 Quick Installation Guide
 NPort Document and Software CD-ROM



International Headquarters: 707 Dayton Road PO Box 1040 Ottawa, IL 61350 USA
 815-433-5100 Fax 433-5104 www.bb-elec.com orders@bb-elec.com support@bb-elec.com

European Headquarters: Westlink Commercial Park Oranmore Co. Galway Ireland
 +353 91 792444 Fax +353 91 792445 www.bb-europe.com orders@bb-elec.com support@bb-europe.com