



Model: UEF10M  
**10 Meter USB  
 Extender/Isolator**



### Description

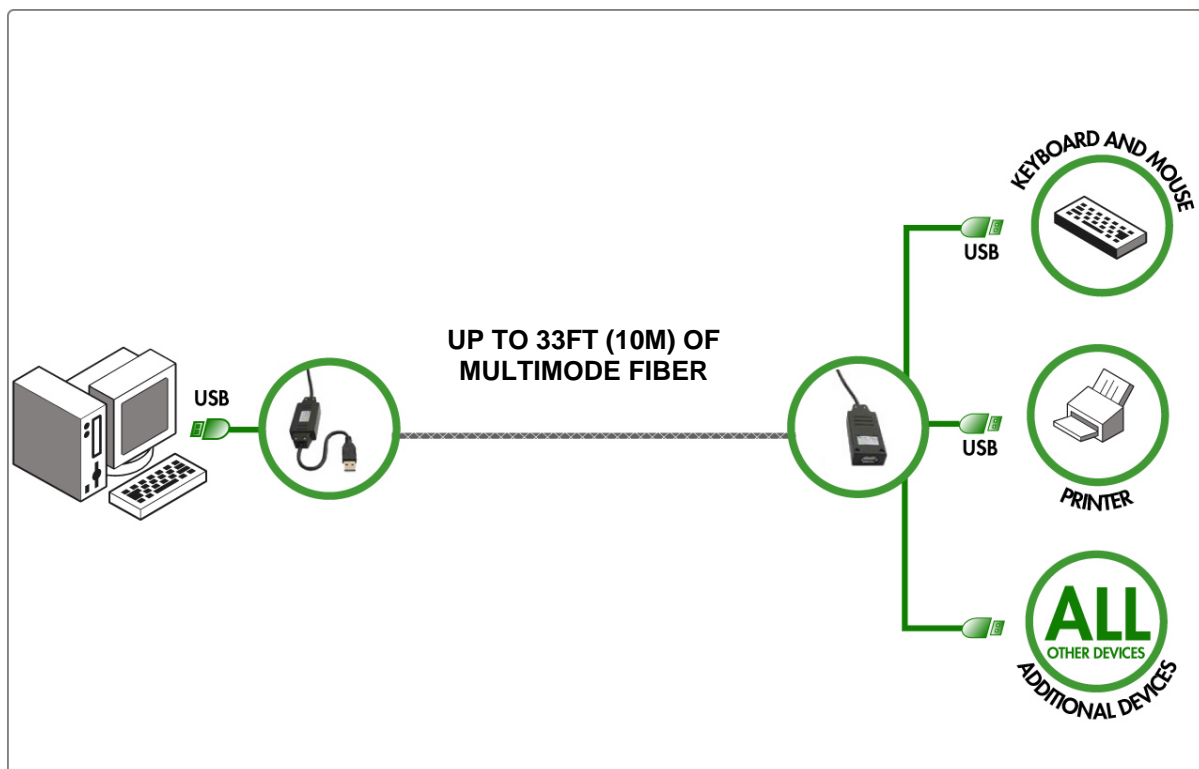
Using 2 strands of multimode fiber, the UEF10M provides exceptional reliability and immunity to interference.

### Features

- Provides complete electrical isolation between computer and device.
- Compatible with PC, Mac, Sun.
- Contains internal USB hub.
- Provides support for any full-speed (12 Mbps) or low-speed (1.5 Mbps) USB device.
- System includes local and remote units, integrated cable, international power adapter and user guide.

### Highlights

The UEF10M is a USB 1.1 device that extends the range of USB up to 10 meters over fiber optic cable.



**B&B electronics**  
 MANUFACTURING COMPANY

**International Headquarters:** 707 Dayton Road PO Box 1040 Ottawa, IL 61350 USA  
 815-433-5100 Fax 433-5104 [www.bb-elec.com](http://www.bb-elec.com) [orders@bb-elec.com](mailto:orders@bb-elec.com) [support@bb-elec.com](mailto:support@bb-elec.com)

**European Headquarters:** Westlink Commercial Park Oranmore Co. Galway Ireland  
 +353 91 792444 Fax +353 91 792445 [www.bb-europe.com](http://www.bb-europe.com) [orders@bb-europe.com](mailto:orders@bb-europe.com) [support@bb-europe.com](mailto:support@bb-europe.com)

### Ordering Information

The UEF10M is complete with a Local Extender, a Remote extender, and integrated fiber-optic cable, power adapter and User Guide.

Description: 10 meter USB Extender/Isolator

Models: North America- UEF10M

Europe- UEF10M-EU

United Kingdom- UEF10M-UK

### Product Specifications

Maximum range	10 meters (33 ft)
Cable characteristics	Riser jacket of retardant PVC with 2 strands of multimode fiber of dimension 62.5/125 $\mu$ m. Tensile strength: 1200 N Minimum bend radius: 6.8 cm Outside diameter: 4.5 mm
USB device support	1 full-speed (12 Mbps) or low-speed (1.5 Mbps) device.
USB hub support	Up to 4 conventional hubs may be connected in series.
Maximum power available to USB at Remote Units	500 mA
Power adapter capacity	5 V DC at 1A (connected remote unit)
Local connector (upstream)	1 USB Type A
Remote connector (downstream)	1 USB Type A
Local unit dimensions	8.9 x 3 x 1.8 cm (3.5 x 1.2 x 0.7 in)
Remote unit dimensions	8.9 x 3 x 1.8 cm (3.2 x 1.2 x 0.7 in)
Total system shipping weight	08 kg (1.8 lb)
Temperature range	0°C to 50°C
Regulatory testing	FCC, CE Class B



**International Headquarters:** 707 Dayton Road PO Box 1040 Ottawa, IL 61350 USA  
815-433-5100 Fax 433-5104 [www.bb-elec.com](http://www.bb-elec.com) [orders@bb-elec.com](mailto:orders@bb-elec.com) [support@bb-elec.com](mailto:support@bb-elec.com)

**European Headquarters:** Westlink Commercial Park Oranmore Co. Galway Ireland  
+353 91 792444 Fax +353 91 792445 [www.bb-europe.com](http://www.bb-europe.com) [orders@bb-europe.com](mailto:orders@bb-europe.com) [support@bb-europe.com](mailto:support@bb-europe.com)